



WORLDWIDE ELECTRIC MOTOR DATA SHEET

PEWWE7.5-18-213T



HORSEPOWER	7.5		
RPM / POLES	1800 / 4		
VOLTAGE / PHASE	230 / 460 V / 3		
FRAME	213T		
ENCLOSURE / DEGREE OF PROTECTION	TEFC / IP55		
FREQUENCY	60 HZ Suitable For 50 HZ Operation With 1.0 SF		
FULL LOAD SPEED	1760 RPM		
SERVICE FACTOR	1.25		
INSULATION CLASS	F		
FULL LOAD AMPS; 230 / 460	18.5 / 9.23 A (Usable On 208V At 20.1 A)		
LOCKED ROTOR AMPS (STARTING); 230 / 460	127 / 63.5 A		
NO LOAD CURRENT	8 / 4 A		
NEMA CODE LETTER	H		
EFFICIENCY / POWER FACTOR	<u>LOAD</u>	<u>EFF.</u>	<u>P.F.</u>
	100 %	91.7%	0.83
	75 %	91.8%	0.78
	50 %	91.2%	0.67
DUTY CYCLE	S1 / Continuous		
TORQUE	<u>FULL LOAD</u>	<u>LRT</u>	<u>BDT</u>
	22.4 lb.ft.	170%	280%
SLIP	2.22 %		
NEMA DESIGN	B		
MOMENT OF INERTIA	0.652 lb.ft. ²		
MAX. TIME LOCKED ROTOR (Hot)	12 Seconds		
SOUND PRESSURE LEVEL	63 dB (A)		
MAX. AMBIENT TEMPERATURE	40° C		
MAX. ELEVATION	3300 Ft.		
TEMPERATURE RISE (At Full Load)	80° C		
DE BEARING	6308ZZ C3		
ODE BEARING	6207ZZ C3		
REGREASING INT. - DE BEARING	---		
REGREASING INT. - ODE BEARING	---		
GREASE TYPE	SKF LGHP 2		
MOUNTING	F1 (F2 Suitable)		
ROTATION	Bi-Directional		
SHAFT MATERIAL	1045 Carbon Steel		
INVERTER RATING	10:1 CT / 20:1 VT PWM Type		
CONNECTION DIAGRAM	230 / 460 V - 9 Lead Y		
AREA CLASSIFICATION	Class I, Division 2, Groups A, B, C, D		
APPROXIMATE WEIGHT	172 lbs.		



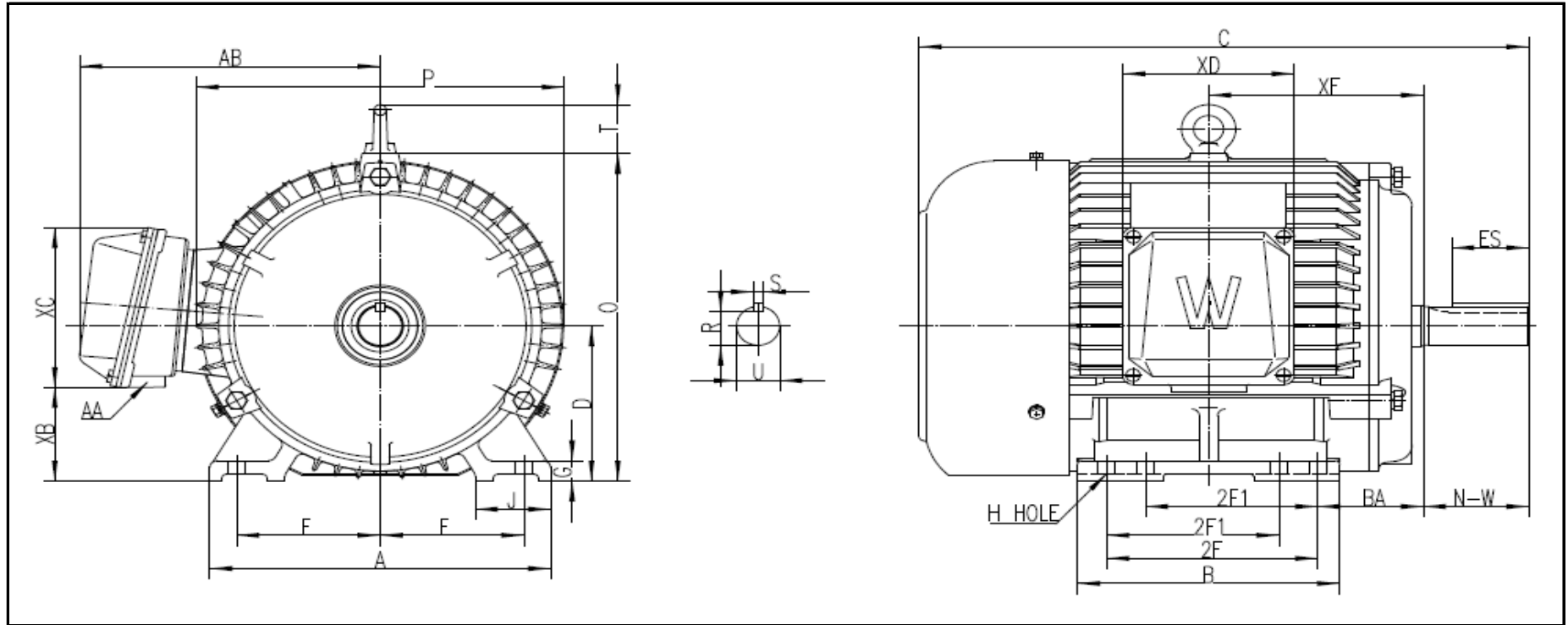
CC006A





WORLDWIDE ELECTRIC MOTOR DRAWING

PEWWE-213T



DIMENSIONS - INCHES

MOUNTING					A	B	C	D	G	J	P	O	T	AB
E	2F1	2F2	H	BA										
4.25	5.5	---	0.41	3.5	10.5	7.5	18	5.25	0.71	2.4	10.4	10.6	1.73	8.5

KEY		KEYSET	SHAFT		TERMINAL BOX				
S	ES	R	N-W	U	AA	XB	XC	XD	XE
0.312	2.41	1.201	3.38	1.375	1	3.3	5.1	4.6	6.25

REVISED - 03/29/18

PERFORMANCE CURVES

WorldWide Electric Corporation

1 (800) 808-2131

Worldwideelectric.net

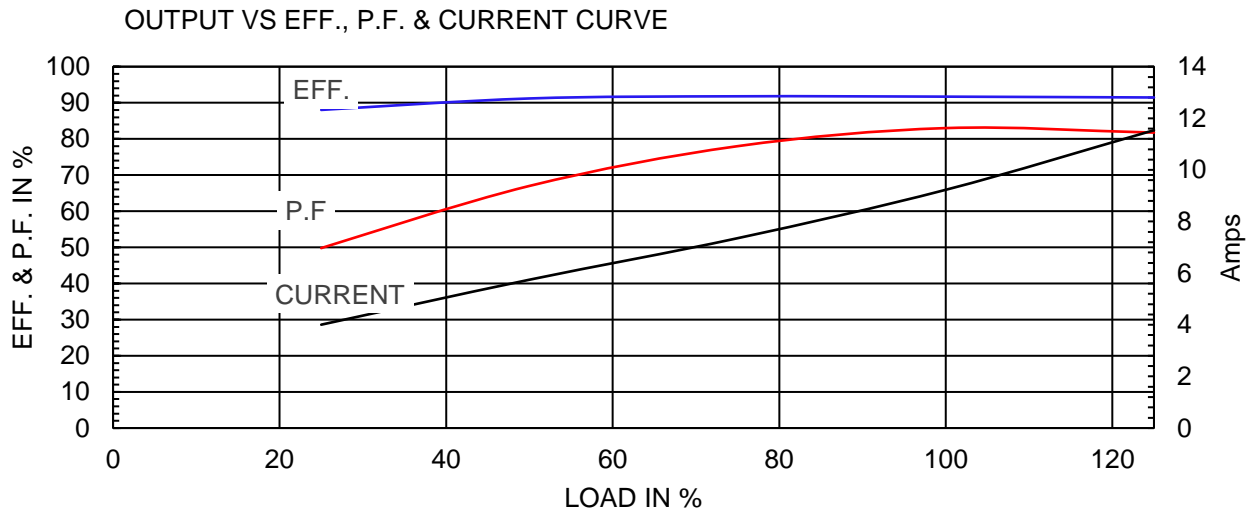
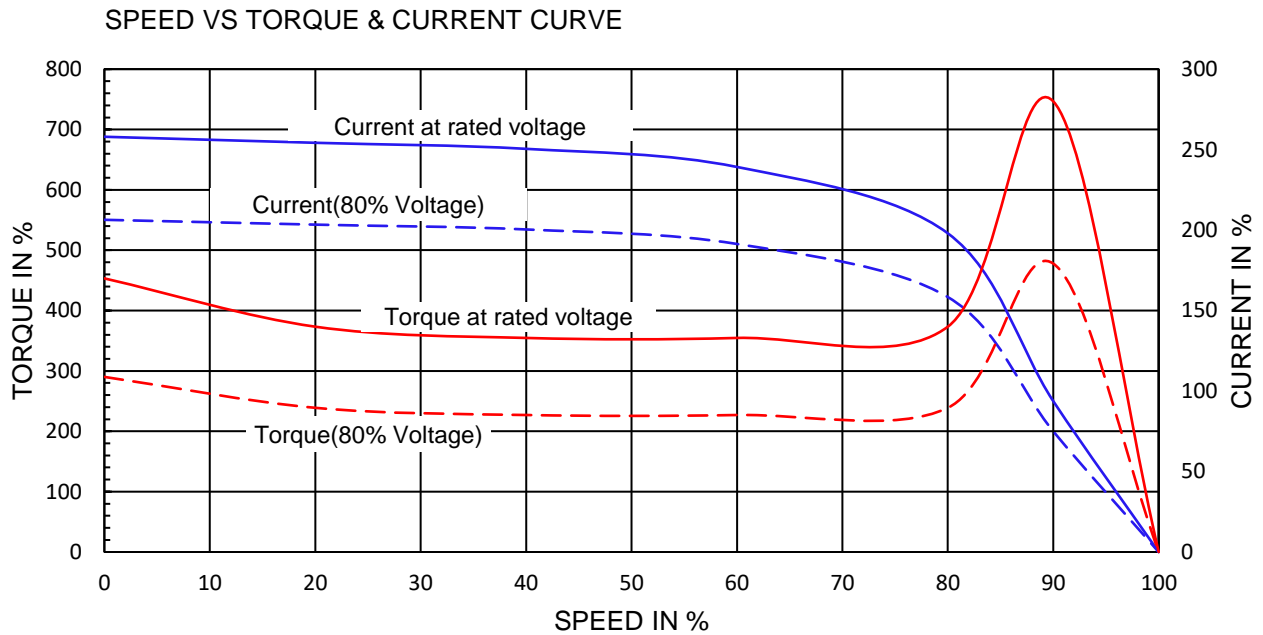


Premium Efficiency Motor:

PEWWE7.5-18-213T

Document Generated:	25-Jun-2020	Customer:	
Document ID:			

Motor Type	PEWWE				
Output Rating (HP)	7.5	FL Speed	1760		
Full Load Torque	22.4 lb.ft	LRT (%FLT)	170	460 volt FLA	9.23
Rotor Wk ²	0.652 lb-ft ²	BDT (%FLT)	280	230 volt FLA	18.5A



NAMEPLATE / WIRING

WorldWide Electric Corporation

1 (800) 808-2131

Worldwideelectric.net



Premium Efficiency Motor: **PEWWE7.5-18-213T**

Document Generated: 21-Aug-2019
Document ID:

Customer:

SAMPLE NAMEPLATE DATA

		PREMIUM EFFICIENCY 3-PHASE INDUCTION MOTOR		CC006A ISO9001	259277
Model	PEWWE7.5-18-213T	Ser No.	ZP		
HP	7.5	S.F.	1.25	Type	Encl TEFC IP55
Frame	213T	P.F.	0.84	Ins Cl	Rating 40°C Amb Cont
Voltage	230/460	Hz	60 Hz	Design	DE Brng 6308ZZ C3
Amps	18.5A /9.23A	RPM	1765	Code	ODE Brng 6207ZZ C3
Nom. Eff.	FL 91.7%	3/4	92.0%	230/460V	Date
Usable on 208V network at 20 Amps 1.0SF		Class I DIV. 2 Groups A B C D		Amb.40°C	T3C(160°C)
10:1 CT 20:1 VT PWM VFD 1.0SF		Class I Zone 2 IIC		Amb.55°C	T3A(180°C)
50Hz 7.5 HP 200/400 V 22.2 / 11.1 A 1455 rpm S.F1.0					
WorldWide Electric Corporation					

